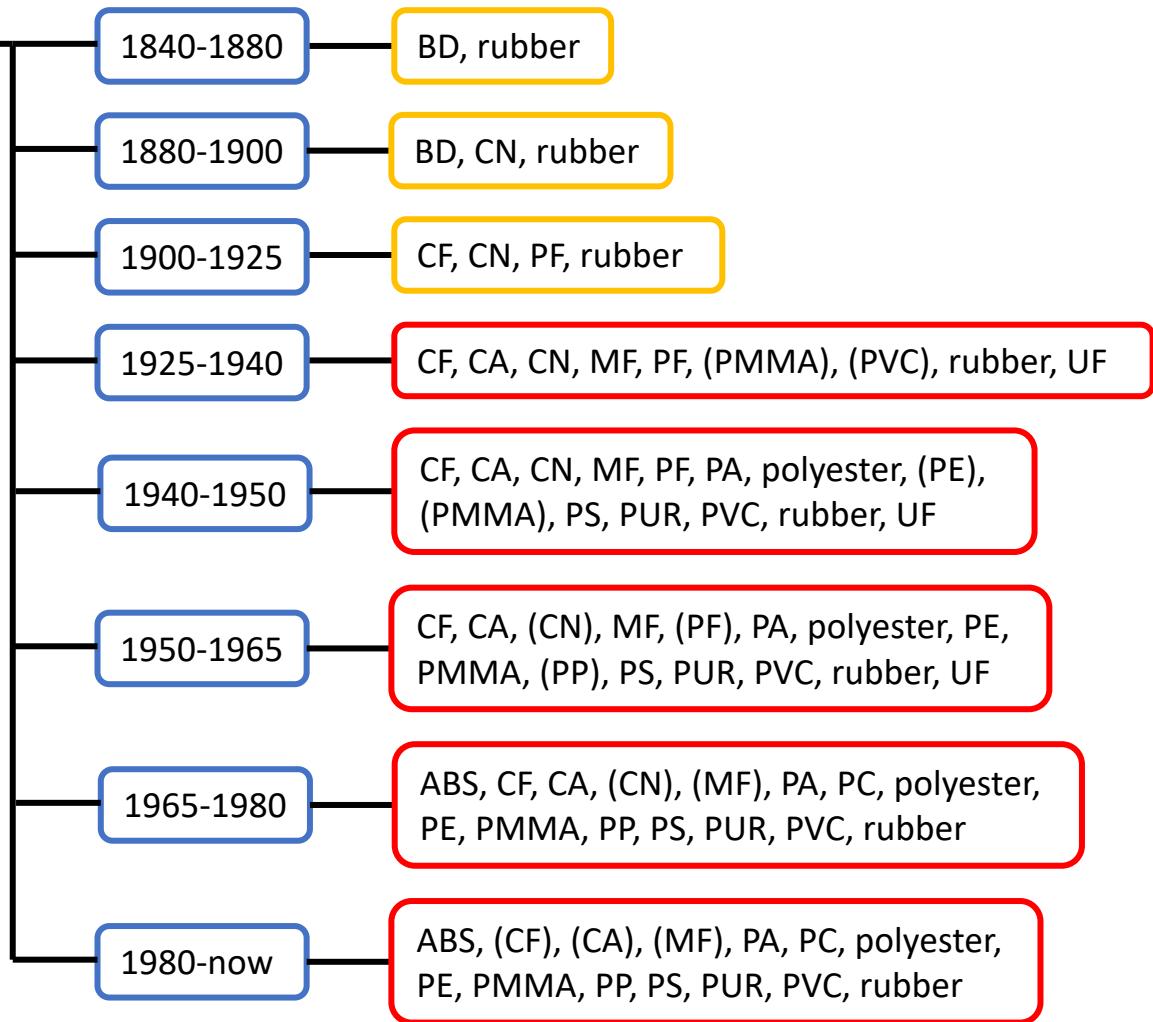
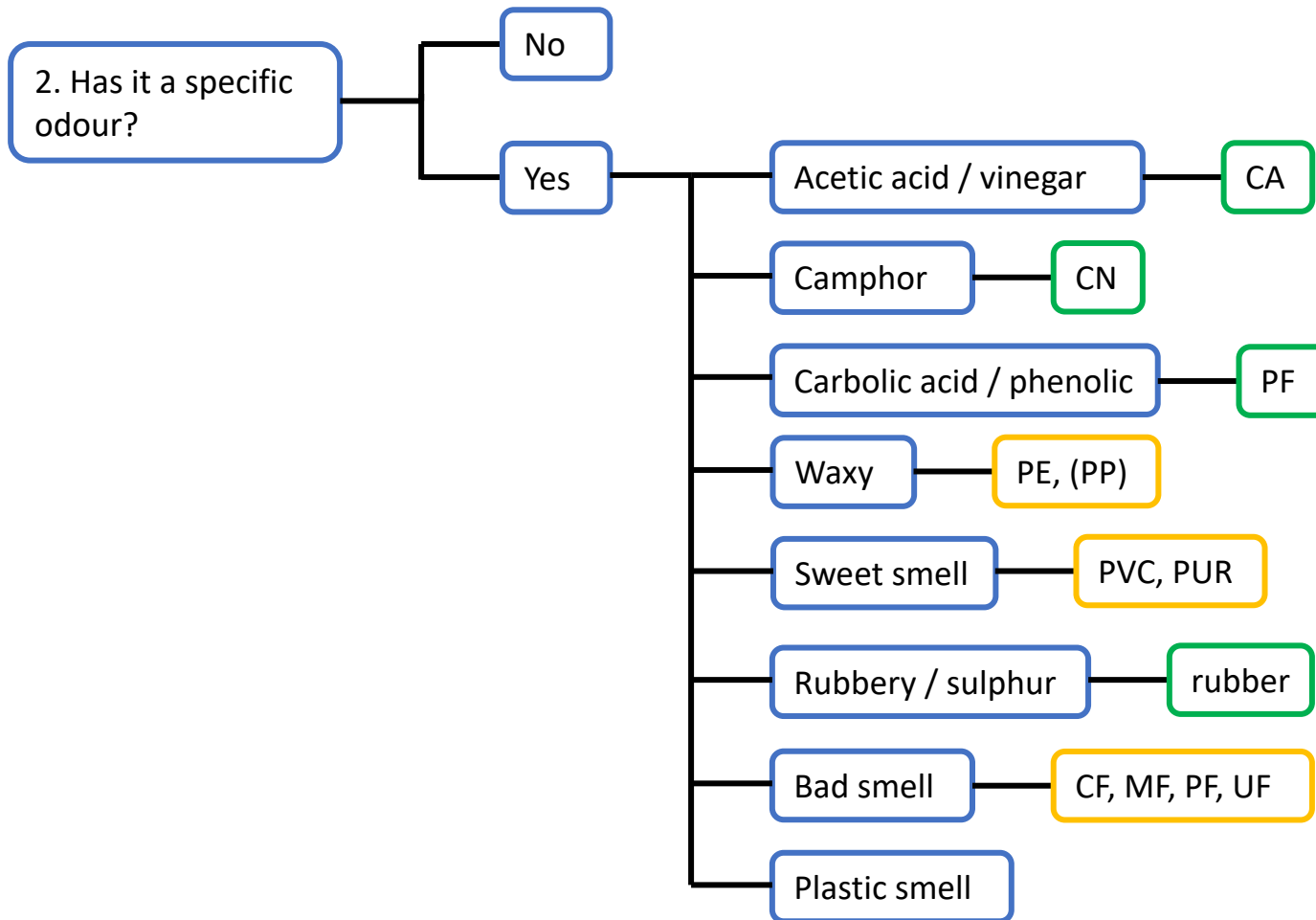
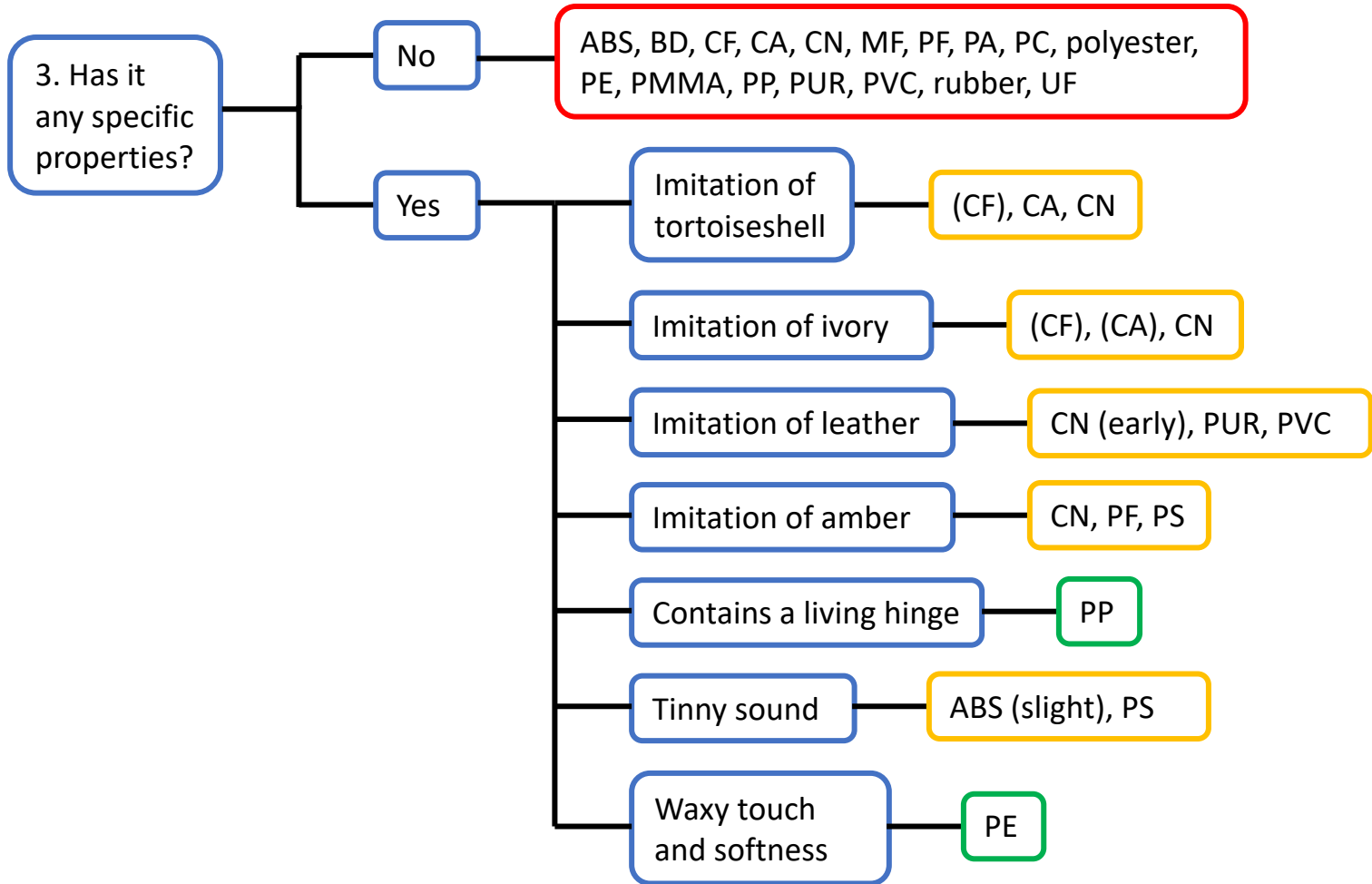
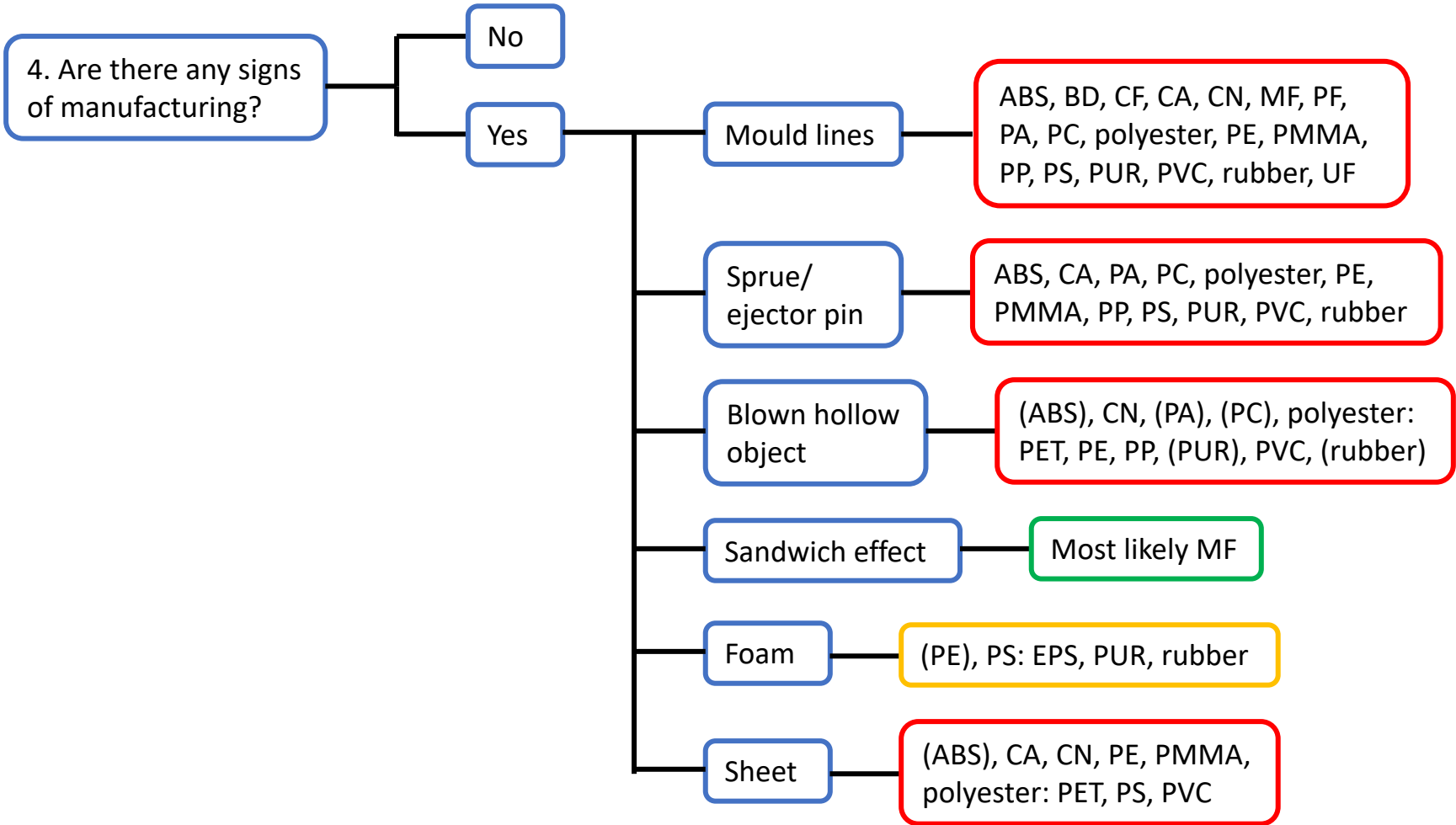


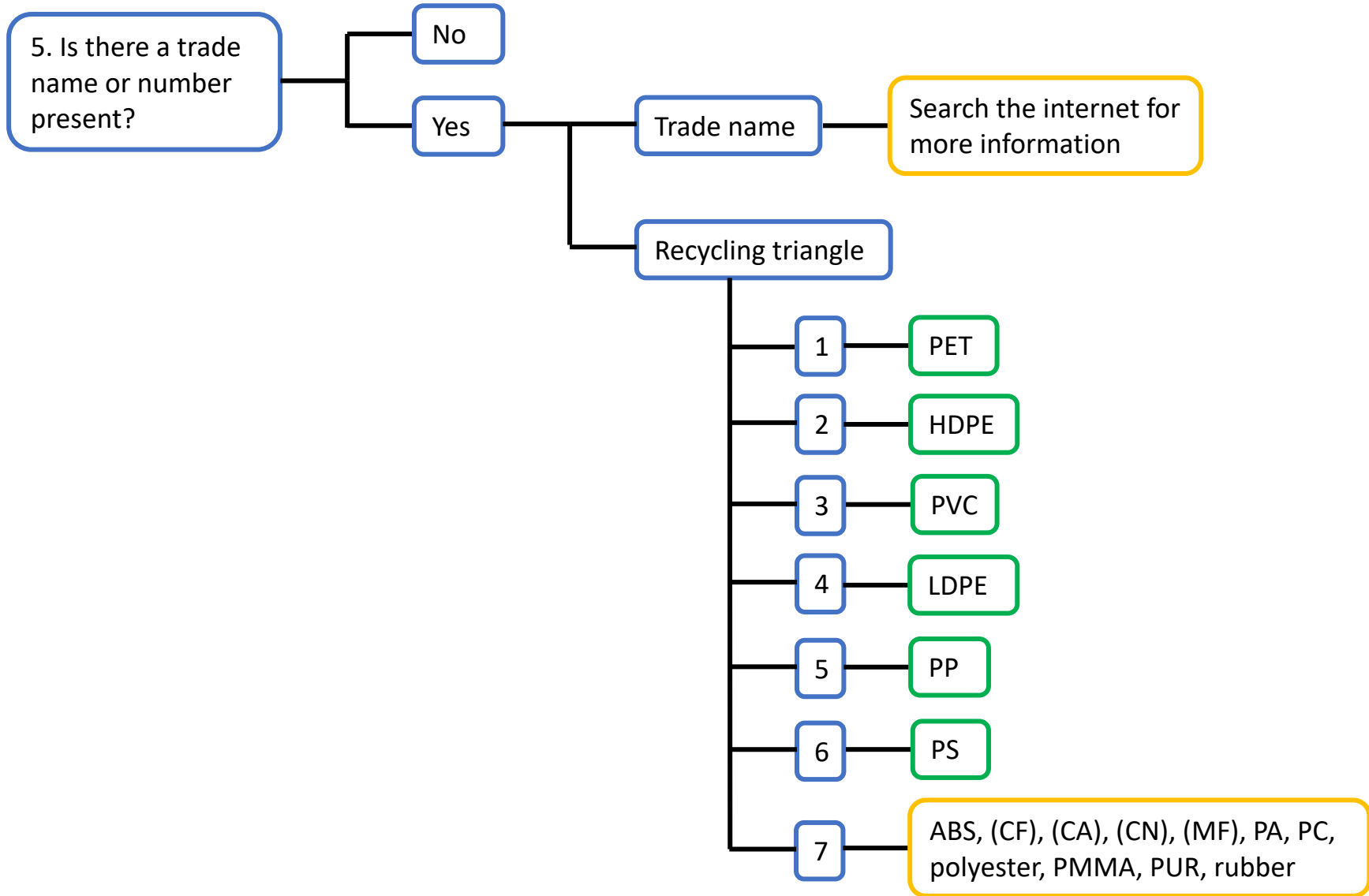
1. When was it made?

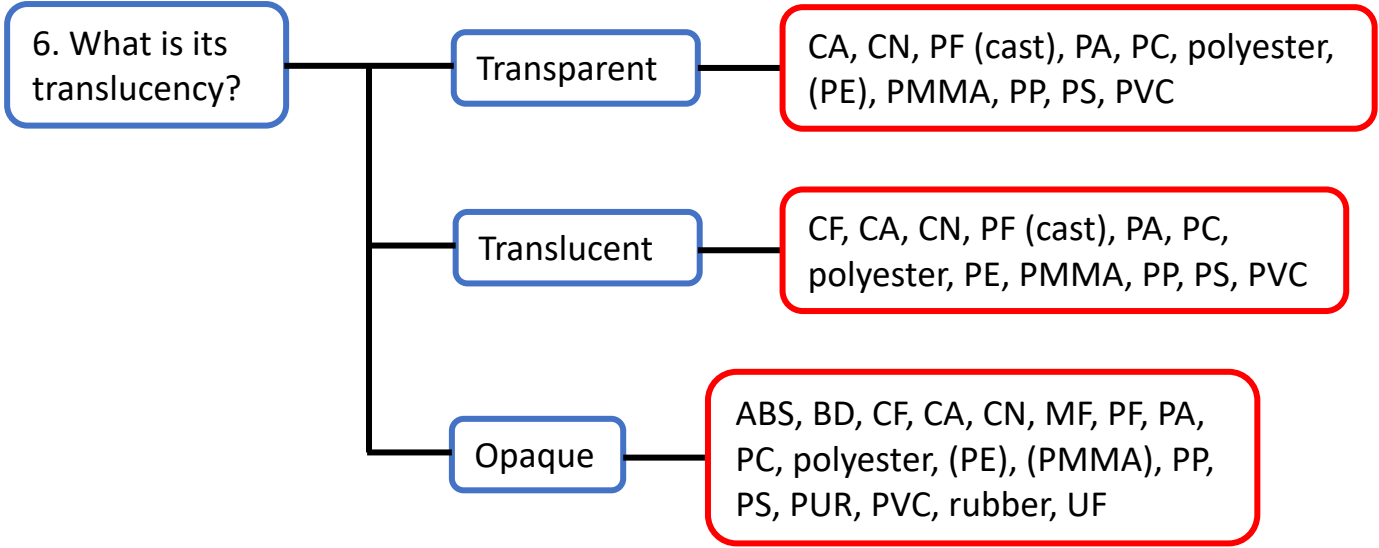












7. What is the flexibility?

Flexible

PE, PUR, PVC, rubber

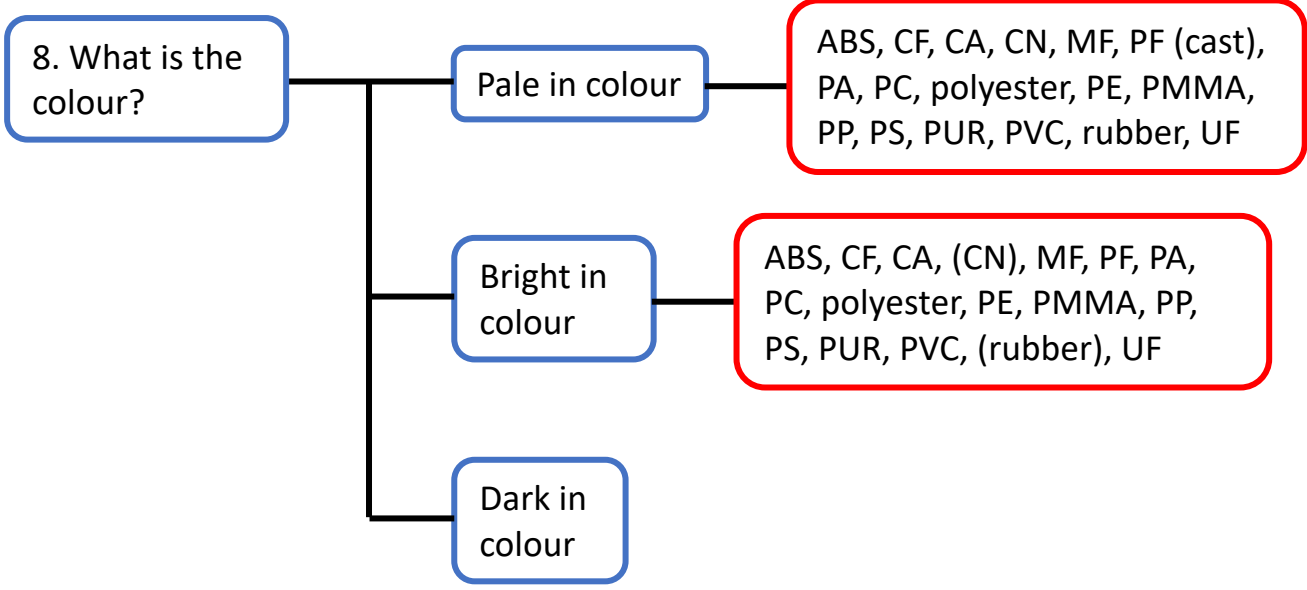
Slight flex

CF (very slightly), CA, CN, PA, polyester: PET, PE, PP, PUR, PVC, rubber

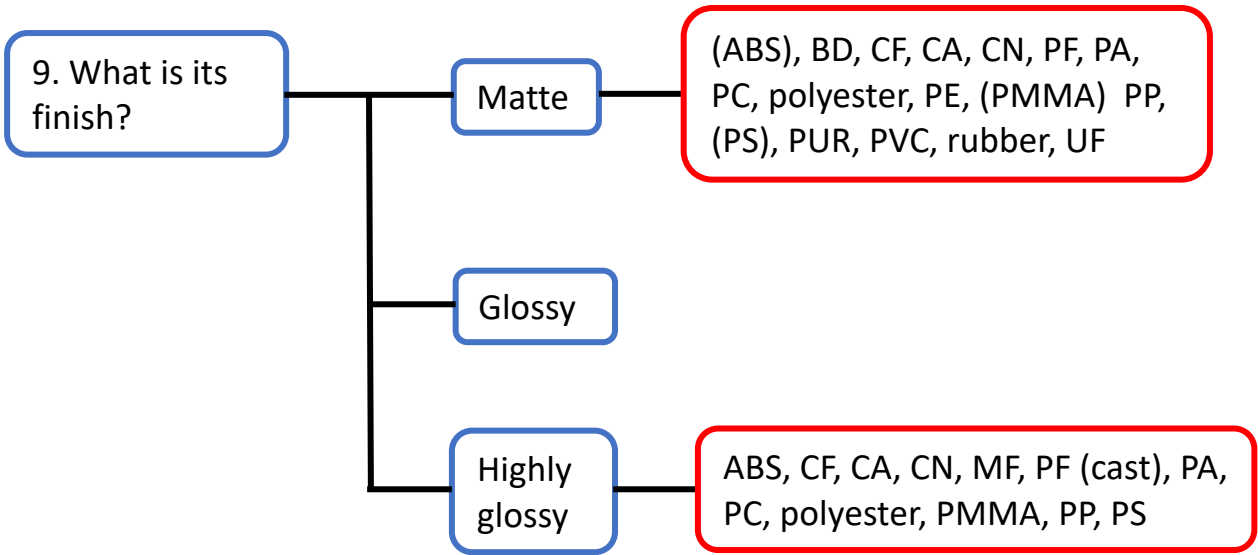
Rigid

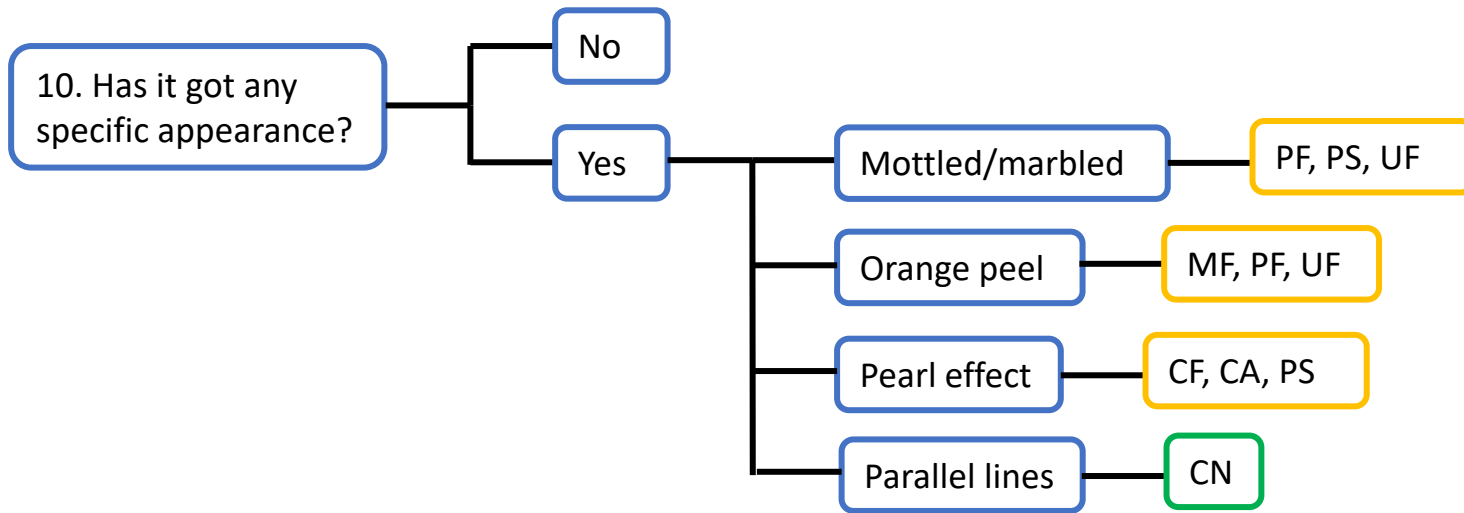
ABS, BD, CF, CA, CN, MF, PF, PA, PC, polyester, PMMA, PP, PS, PUR, rubber, UF

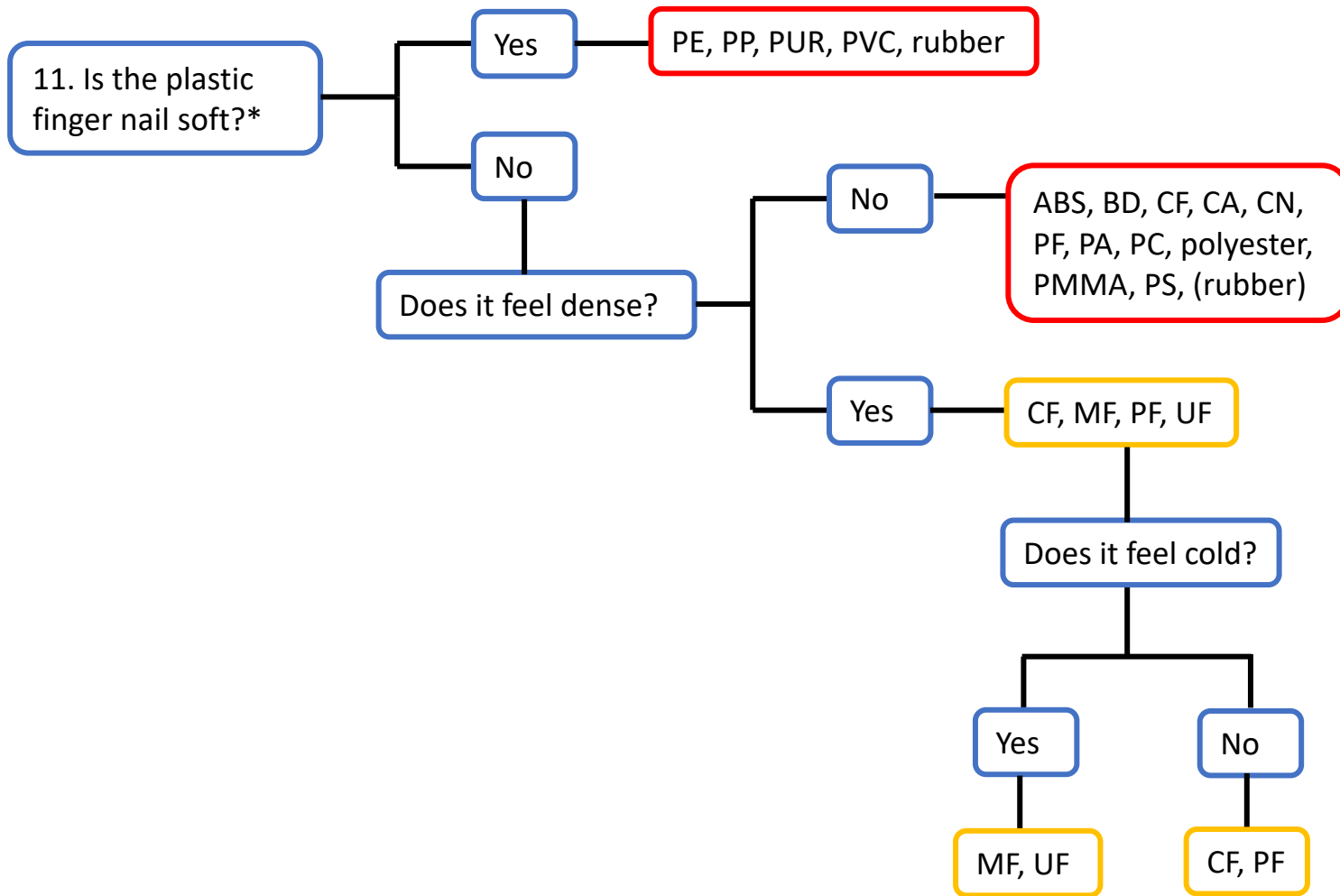












\* be aware of degradation that can change the hardness of a polymer

